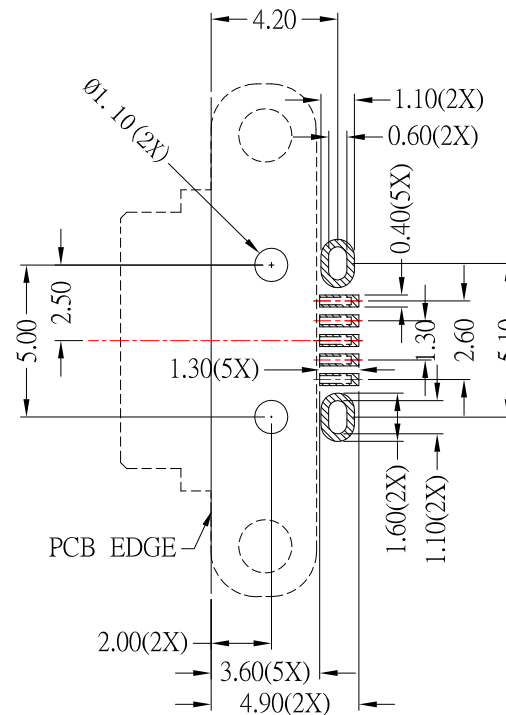
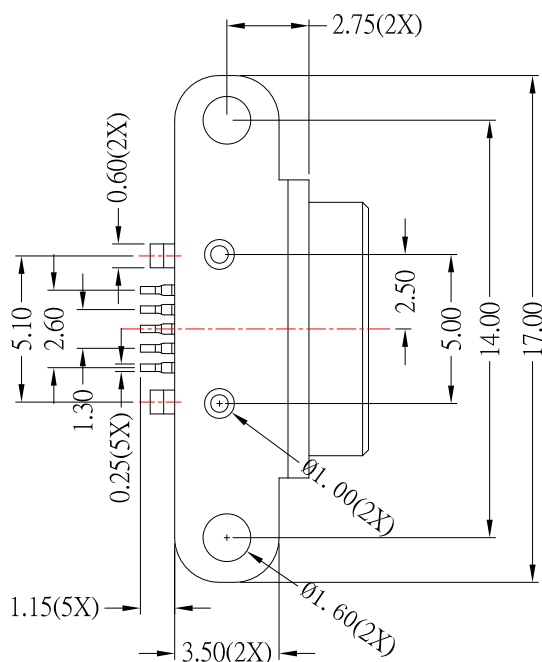
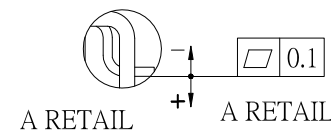
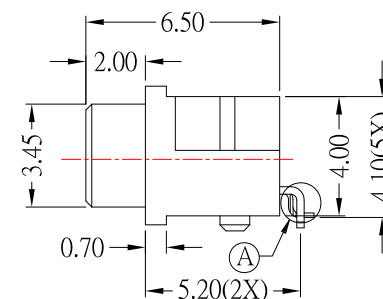
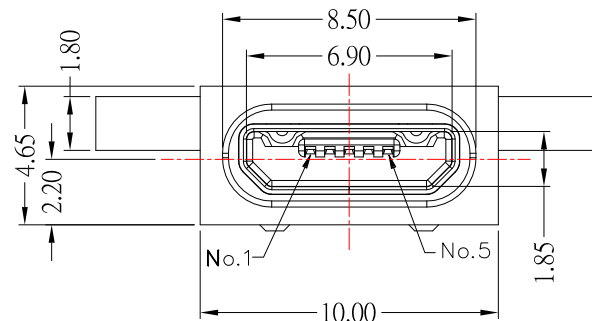
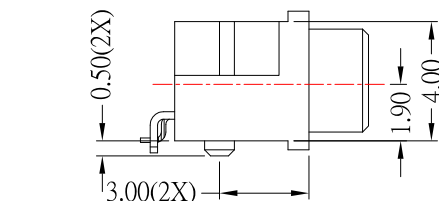


Waterproof Level : IPX 7



PCB LAYOUT MOUNTING PATTERN  
TOP VIEW

Material:

- 1.Housing: PA10T
- 2.Contact: Phosphor Bronze
- 3.Shell: SUS
- 4.Cover: LCP

Finish:

- 1.Contact: Plated Gold in Mating Area ;  
Gold Plated on Solder Balls  
Nickel under plated overall
- 2.Shell: Nickel under Plated surface layer

5	更新材質	Jack	071317
4	新增Waterproof Level	Jack	031016
3	新增PCB LAYOUT的PIN長尺寸	Jack	102115
2	更新材質	Jack	072215
1	更新圖面	Jack	071615
ITEM NO.	DESCRIPTION	DRAWN	DATE



建倚科技股份有限公司  
CONTACT TECHNOLOGY CORP.

TOLERANCE UNLESS OTHERWISE STATED:  
Up to 5 ±0.2  
Above 5 ~ 15 ±0.3  
Above 15 ~ 30 ±0.4  
Above 30 ~ 50 ±0.5  
Angle ±0.3°

3RD. ANGEL'S



UNITS MM

DRAWN BY:	DATE	MAT'L	TITLE	CONNECTOR
Jack Lu	07/13/17	FINISH	MODLE	MICRO USB 防水型
CHECKED BY:	DATE	SCALE	DWG NO.	MRUSB-5B-WP1-S052
Jacky Chen	07/13/17	SHEET NO.	PART NO.	MRUSB-5B-WP1-S052
APPROVED BY:	DATE	SIZE	VER	R5
Tony Kao	07/13/17	1 : 1	1 of 1	